

10

9

8

7

6

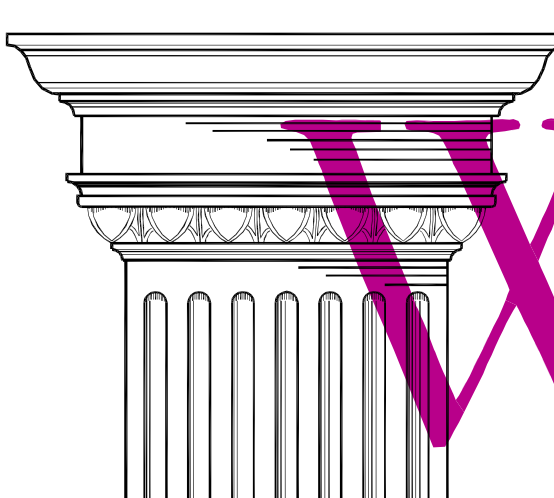
5

4

3

2

1

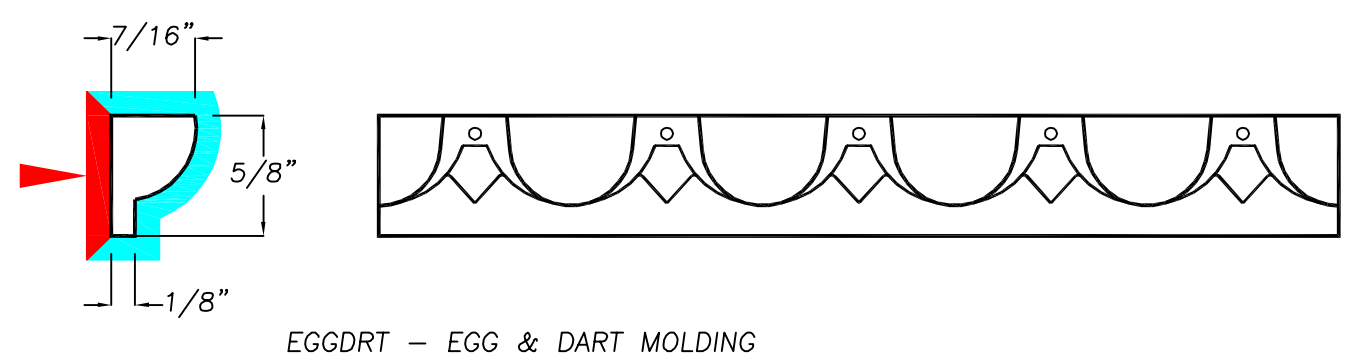
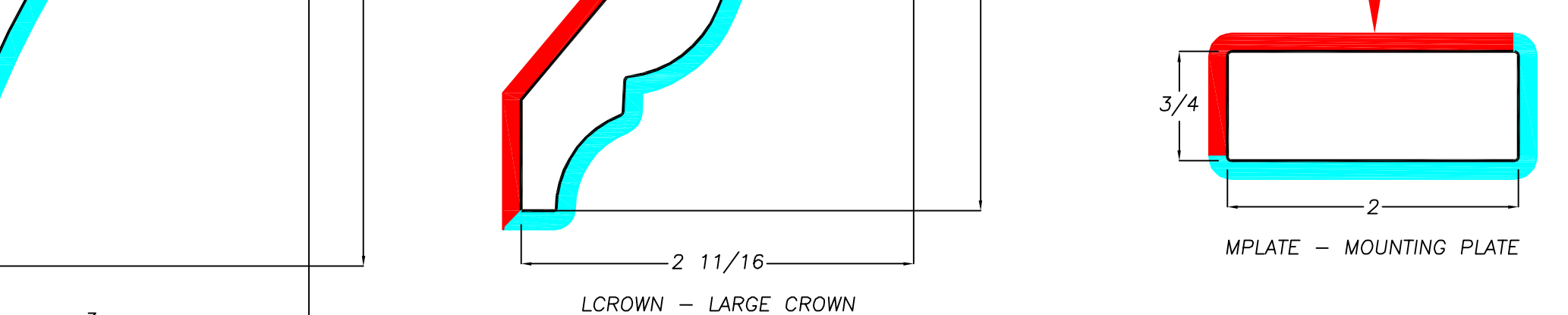
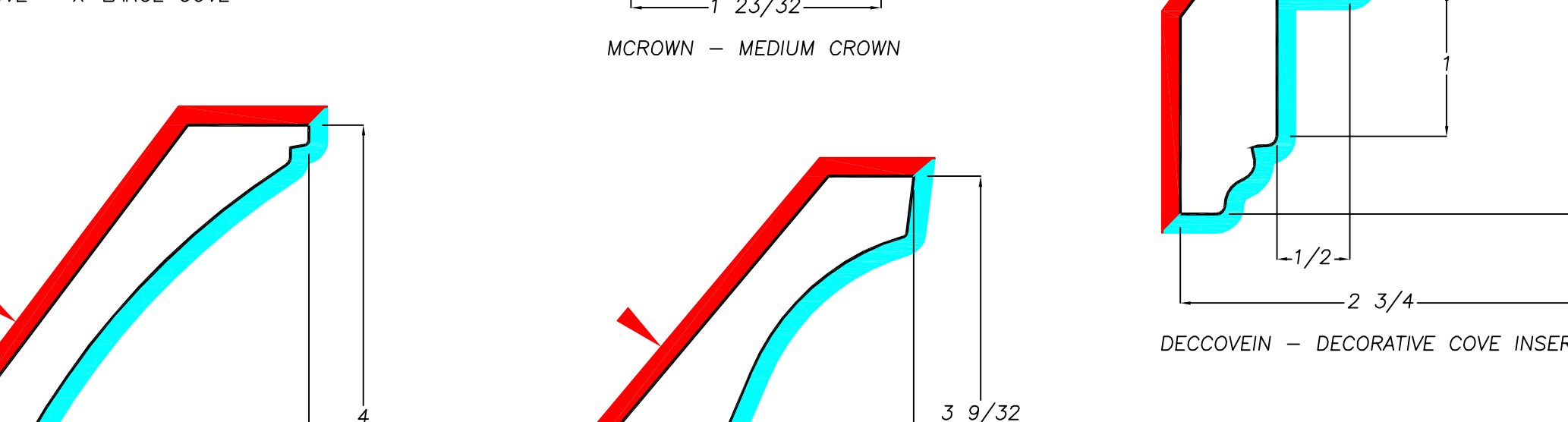
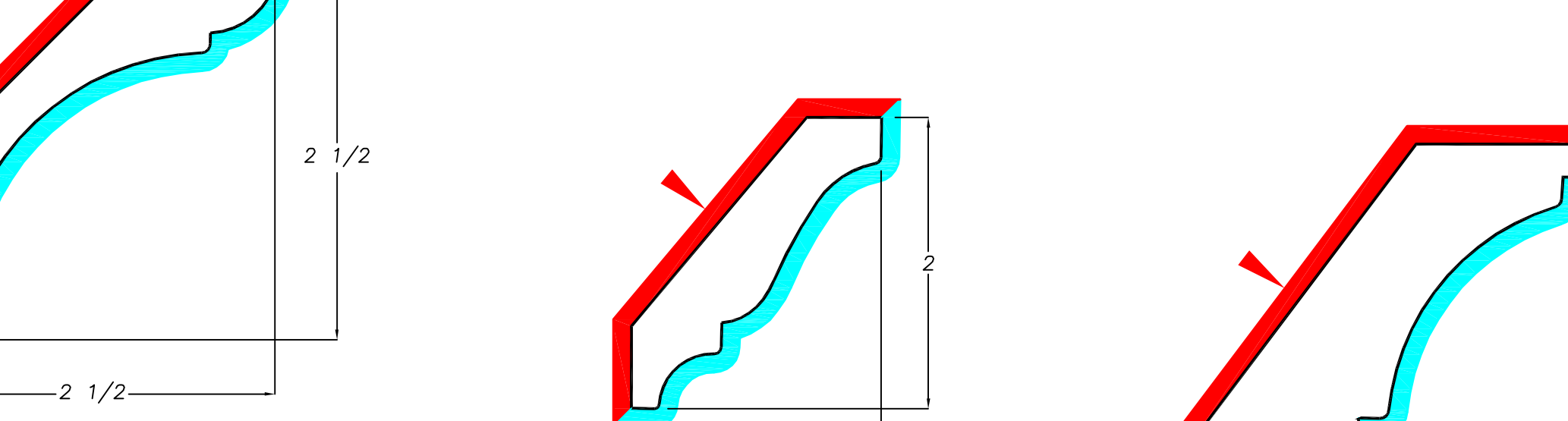
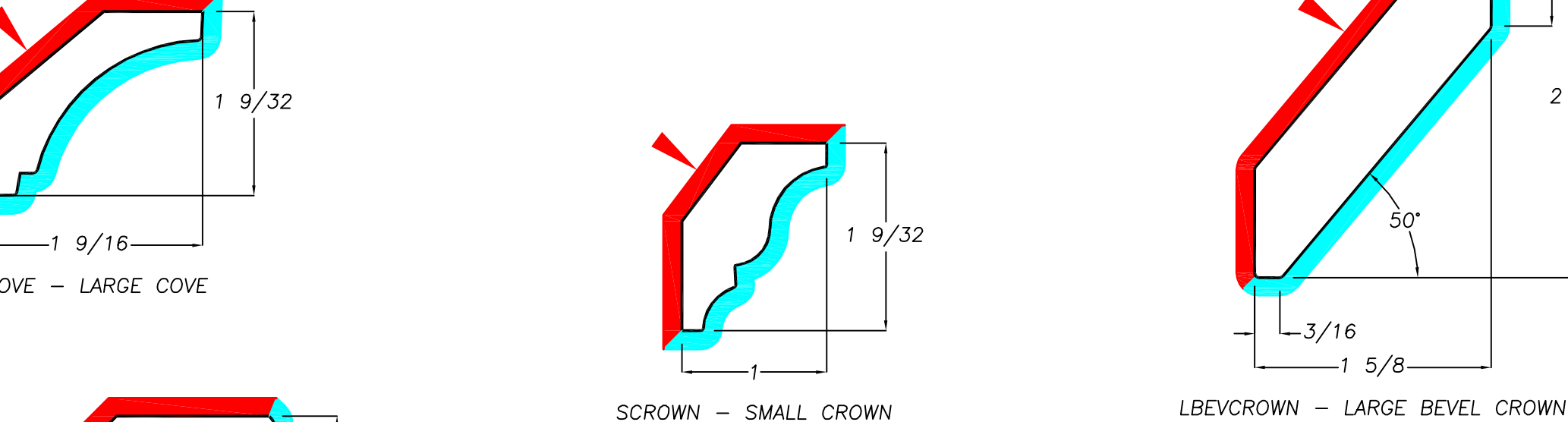
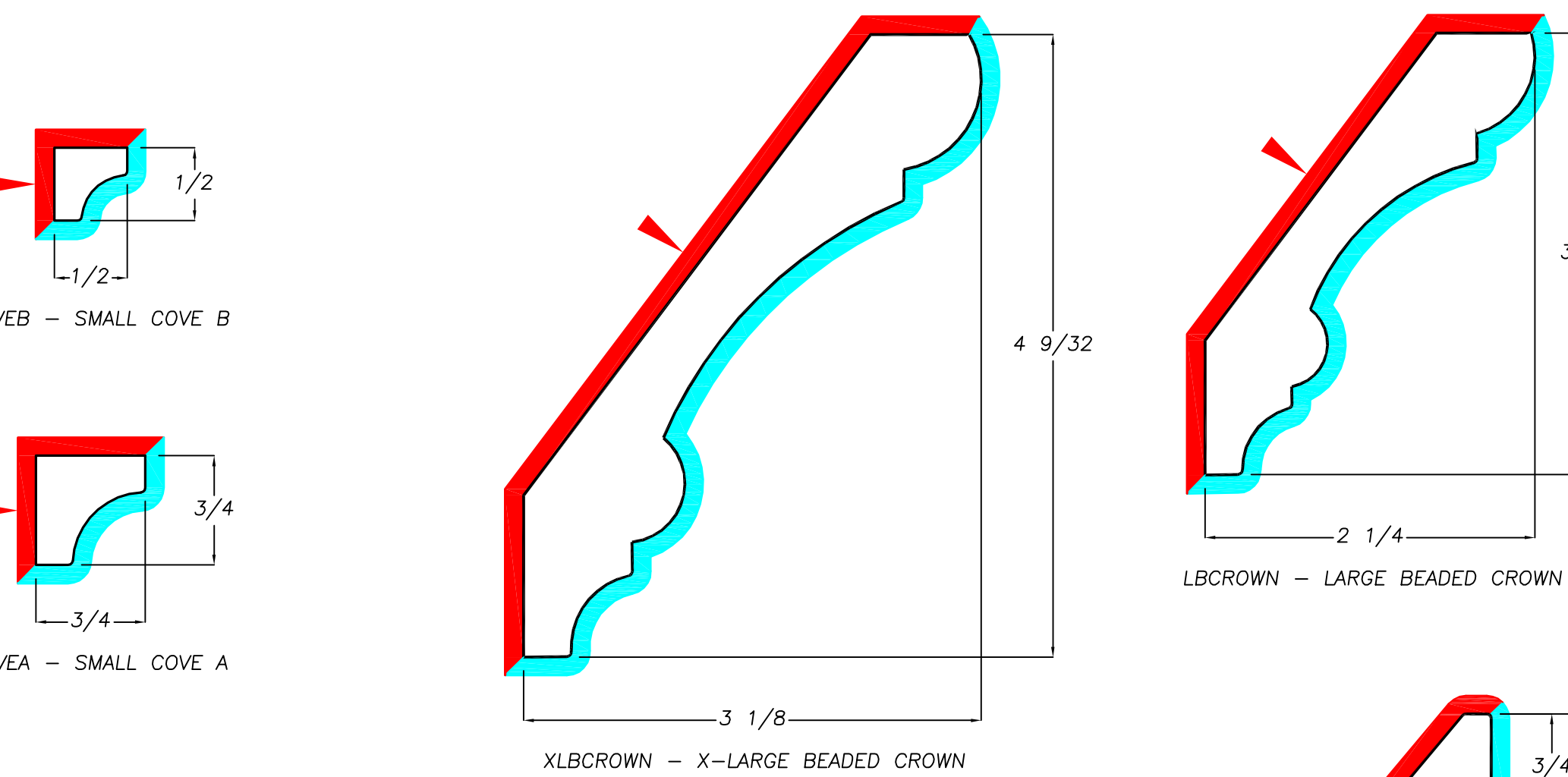
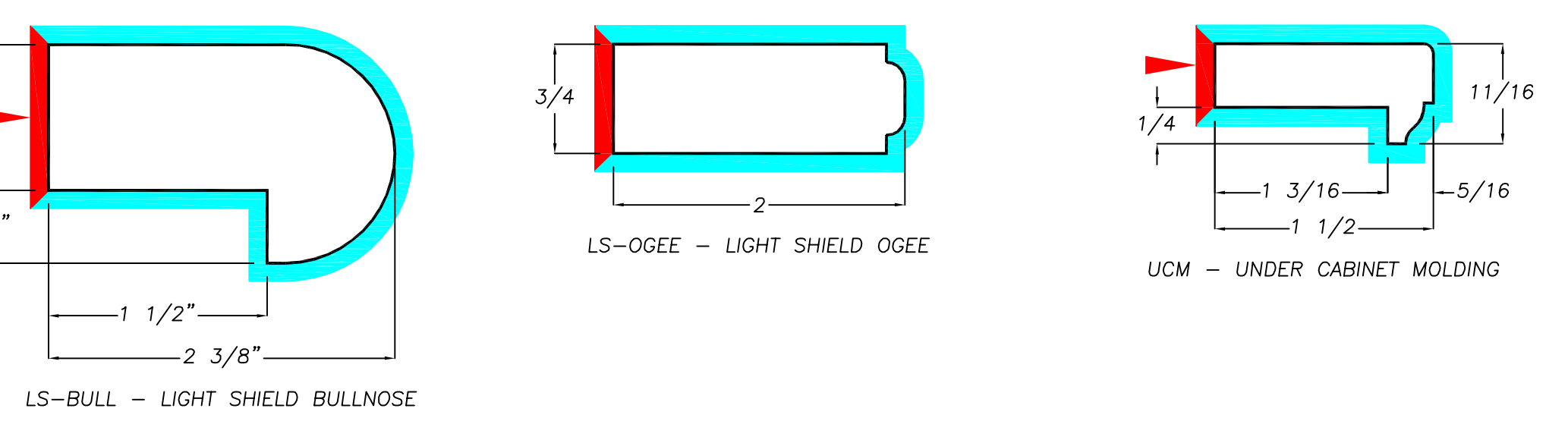
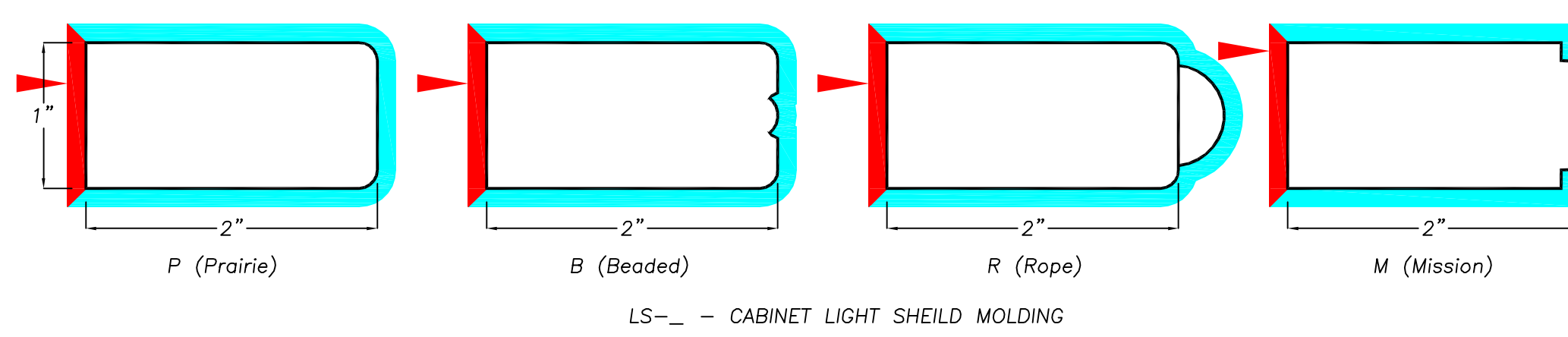
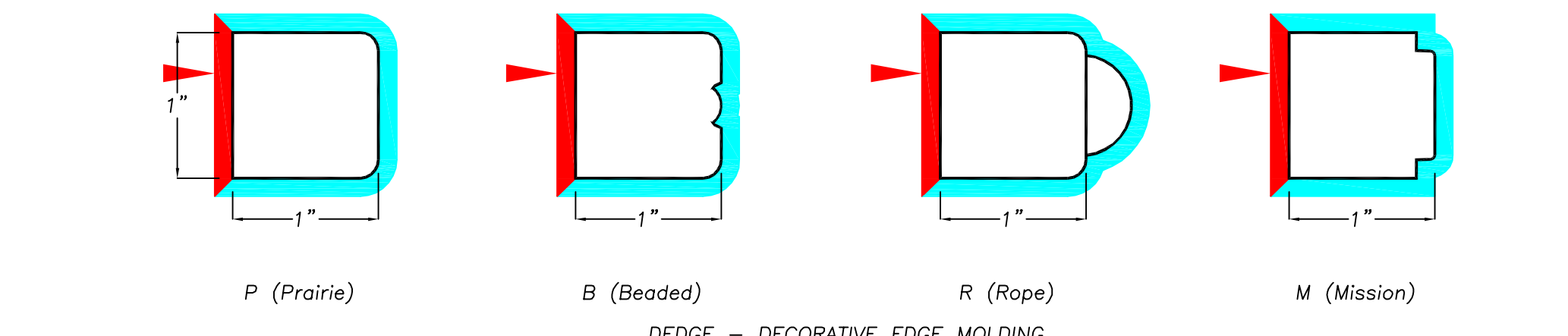
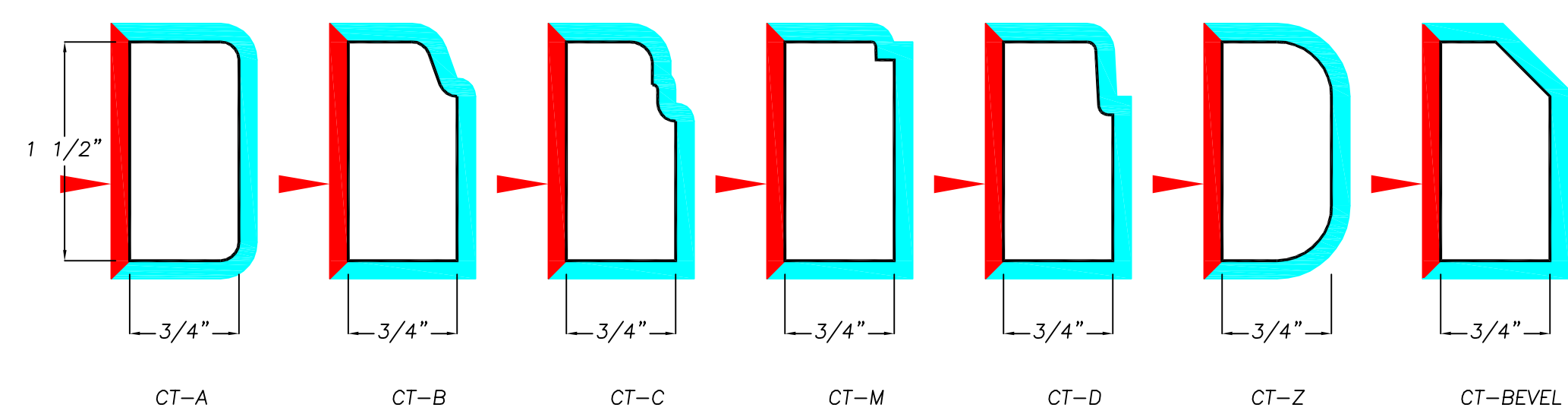


WOODHARBOR DOORS & CABINETS

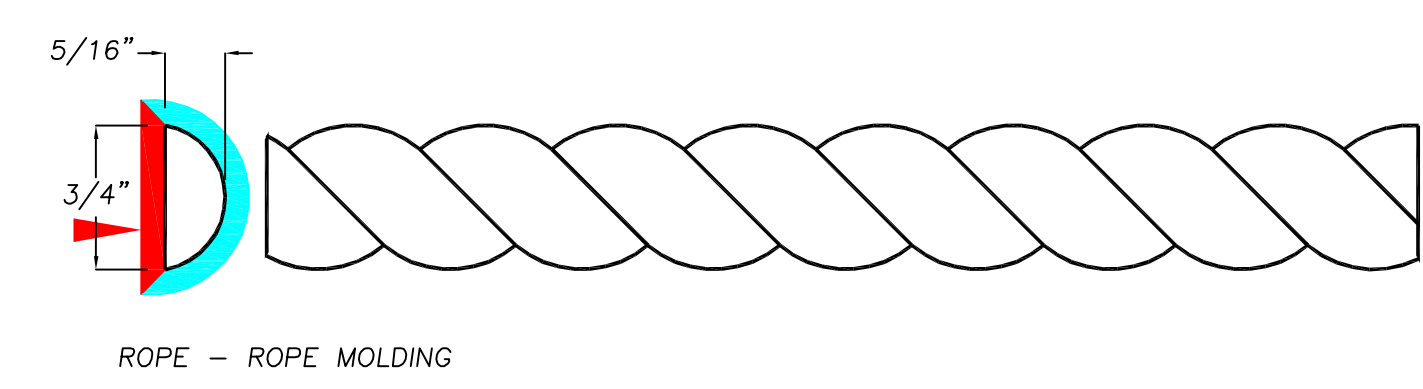
MOLDING PROFILES

RED OUT-LINE SHOWS SURFACE FOR WRITING ON THE MOLDING

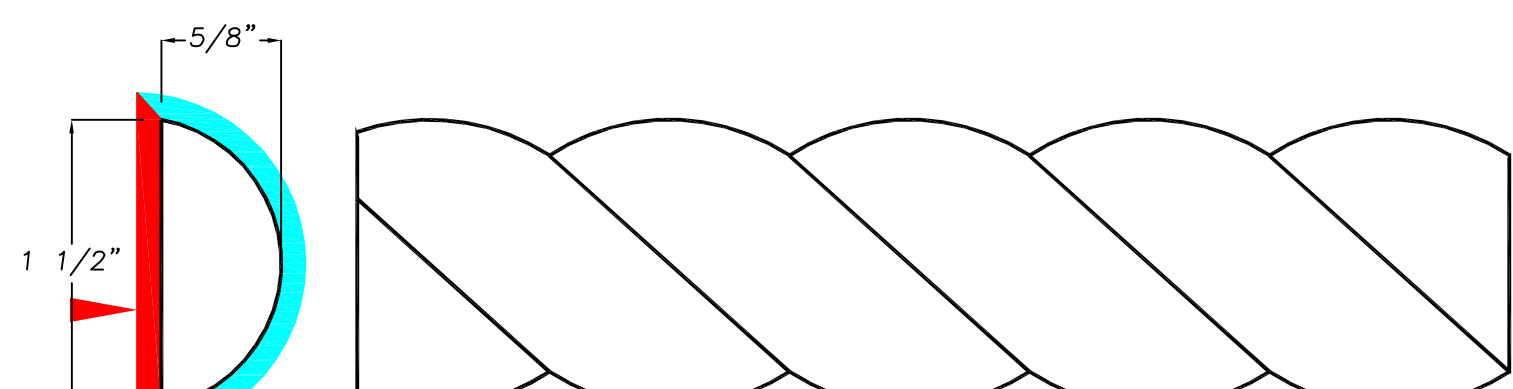
BLUE OUT-LINE SHOWS FINISHED SURFACES ON THE MOLDING



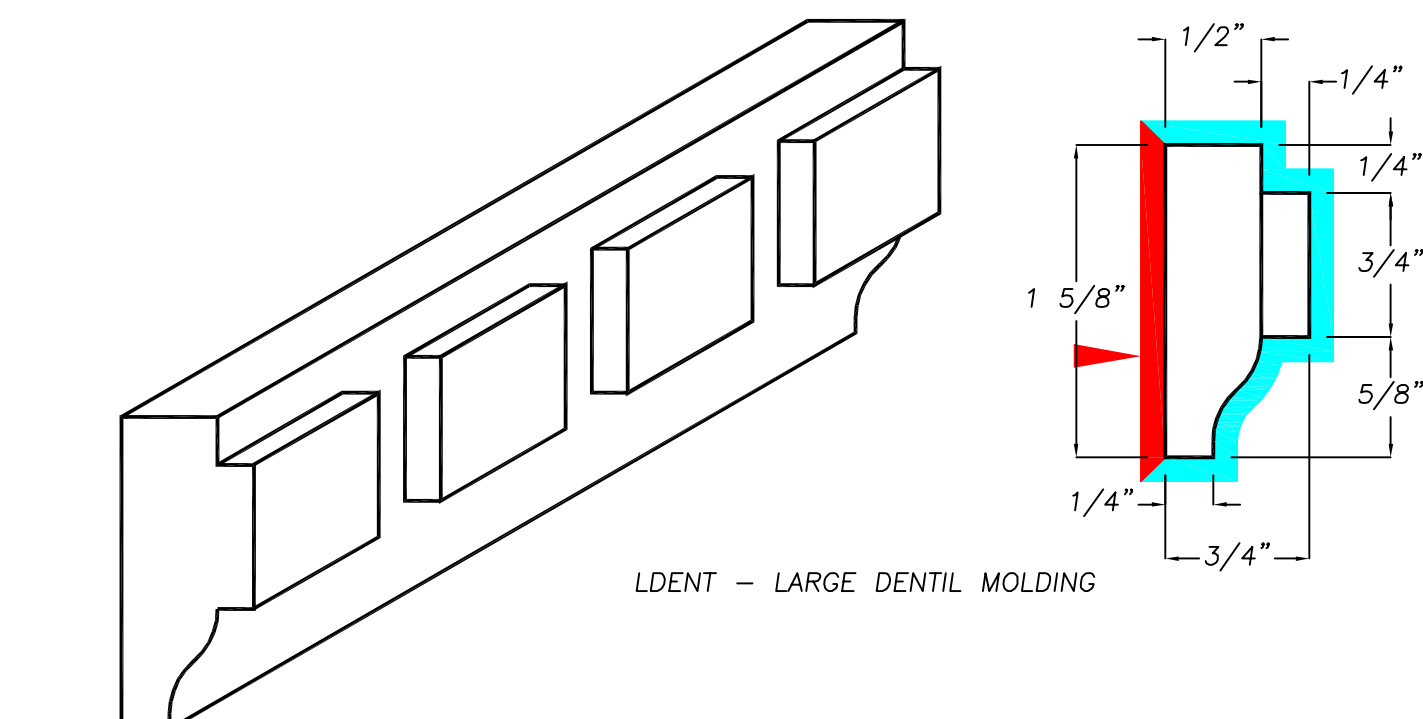
EGGDRT - EGG & DART MOLDING



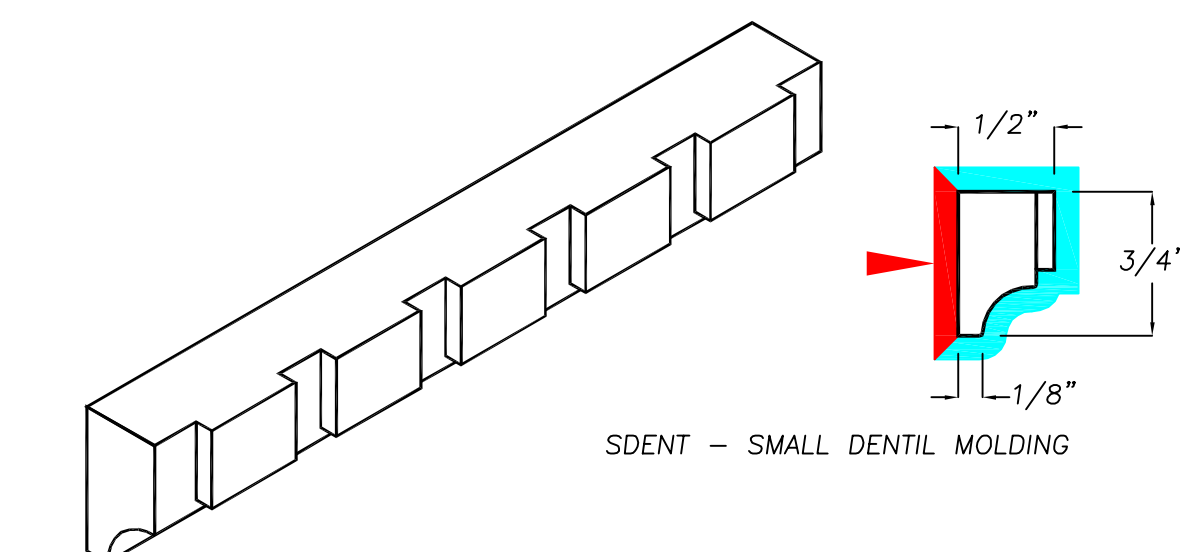
ROPE - ROPE MOLDING



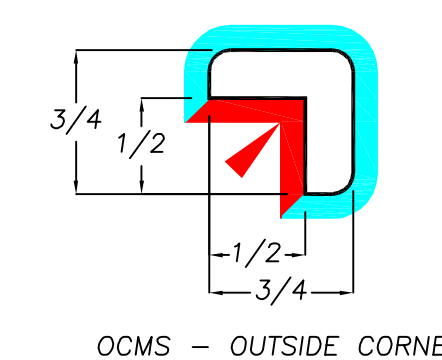
LROPE - LARGE ROPE MOLDING



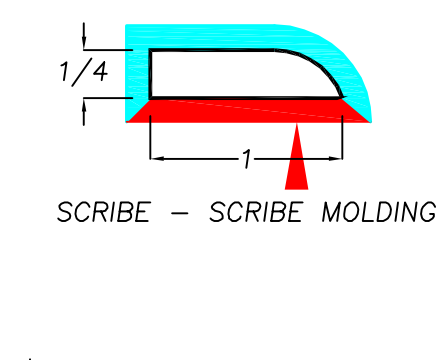
LDENT - LARGE DENTIL MOLDING



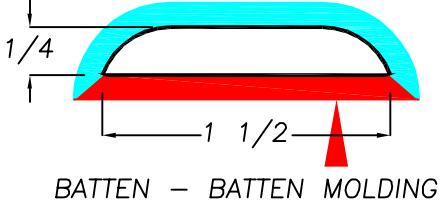
SDENT - SMALL DENTIL MOLDING



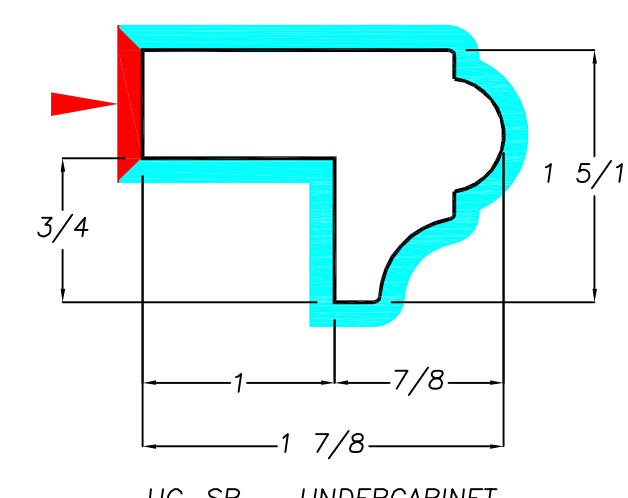
OCMS - OUTSIDE CORNER MOLDING SMALL



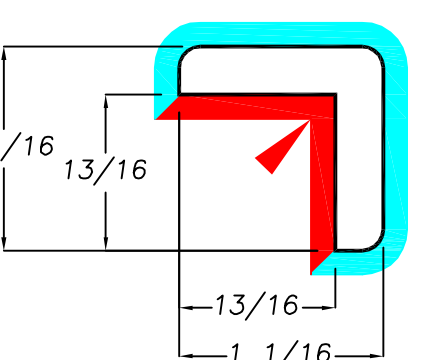
SCRIBE - SCRIBE MOLDING



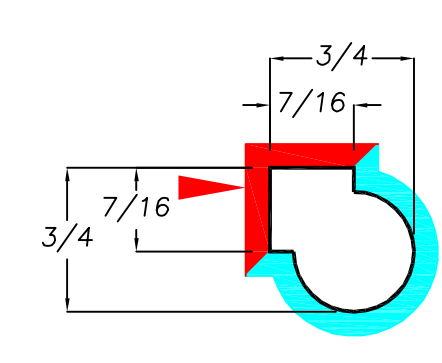
BATTEN - BATTEN MOLDING



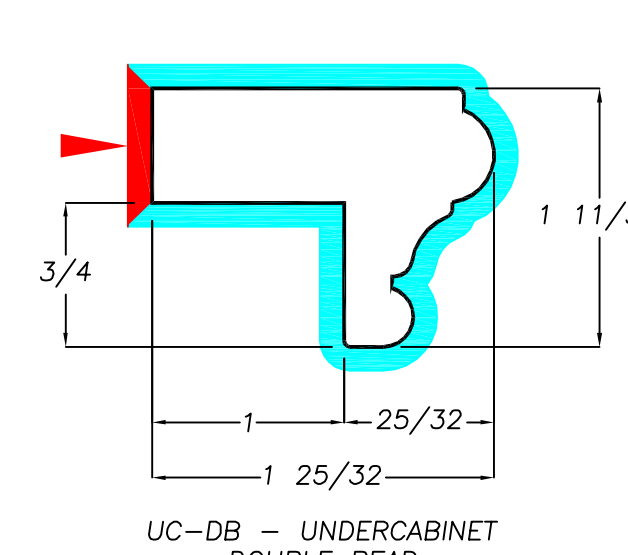
UC-SB - UNDERCABINET SINGLE BEAD



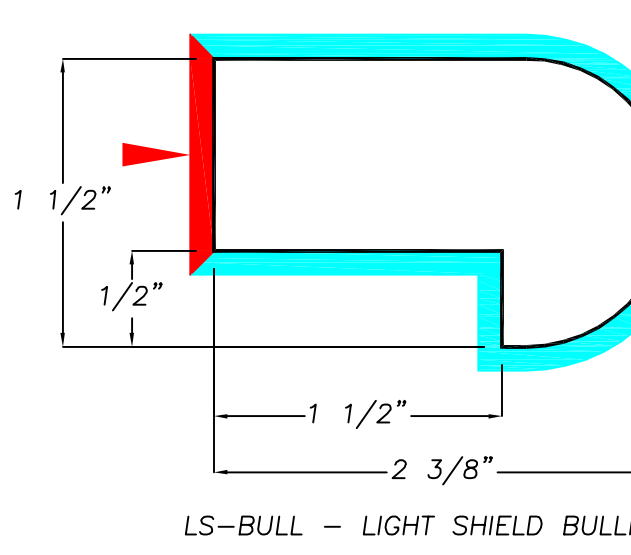
OCML - OUTSIDE CORNER MOLDING LARGE



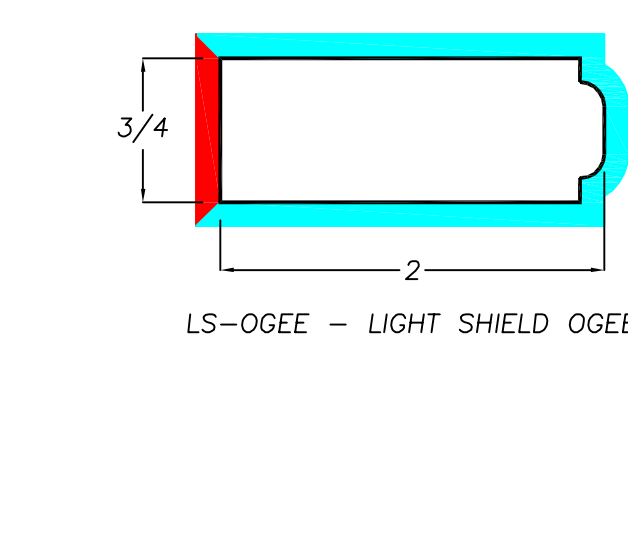
PENCIL - PENCIL MOLDING



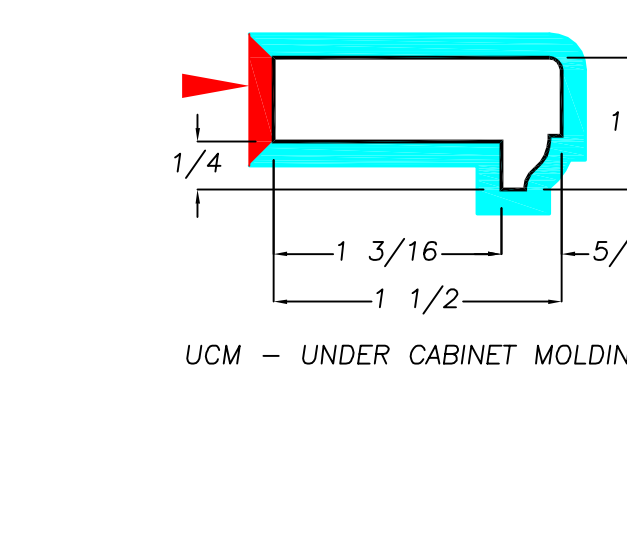
UC-DB - UNDERCABINET DOUBLE BEAD



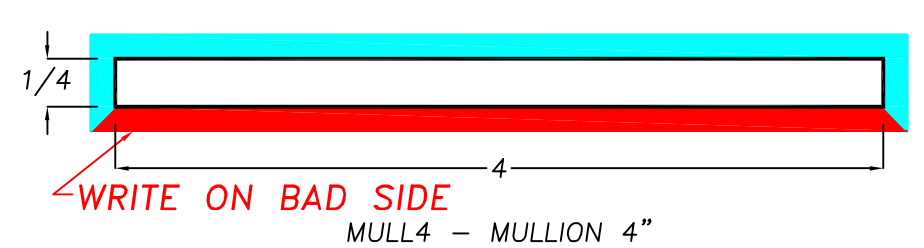
LS-BULL - LIGHT SHIELD BULLNOSE



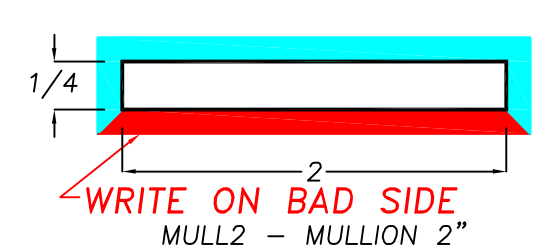
LS-OGEE - LIGHT SHIELD OGEE



UCM - UNDER CABINET MOLDING



MULL4 - MULLION 4"



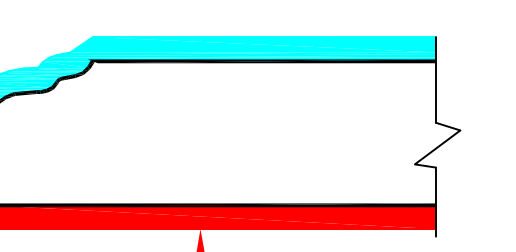
MULL2 - MULLION 2"



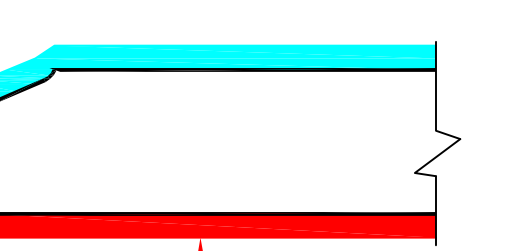
ES-A - EDGE HAPE STYLE "A"



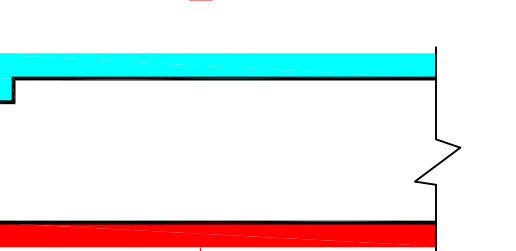
ES-B - EDGE HAPE STYLE "B"



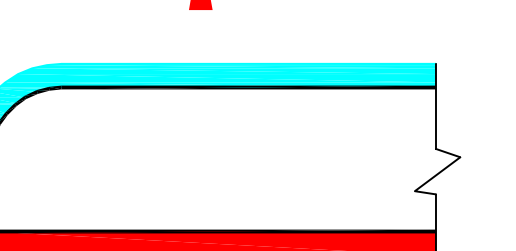
ES-C - EDGE HAPE STYLE "C"



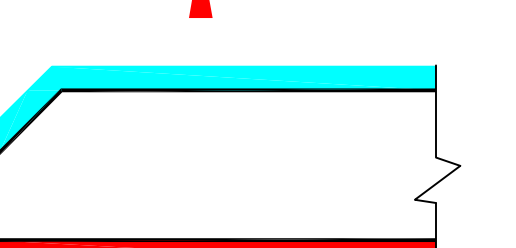
ES-D - EDGE HAPE STYLE "D"



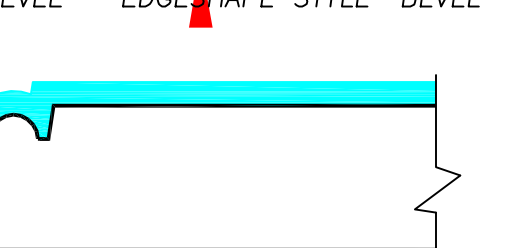
ES-M - EDGE HAPE STYLE "M"



ES-Z - EDGE HAPE STYLE "Z"



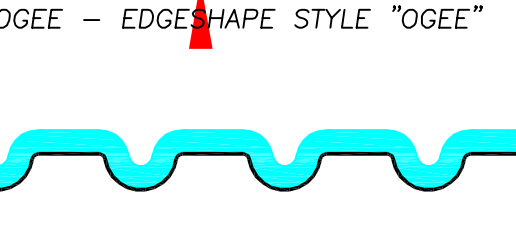
ES-BEVEL - EDGE HAPE STYLE "BEVEL"



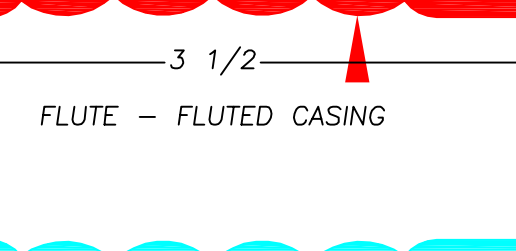
ES-BEAD - EDGE HAPE STYLE "BEAD"



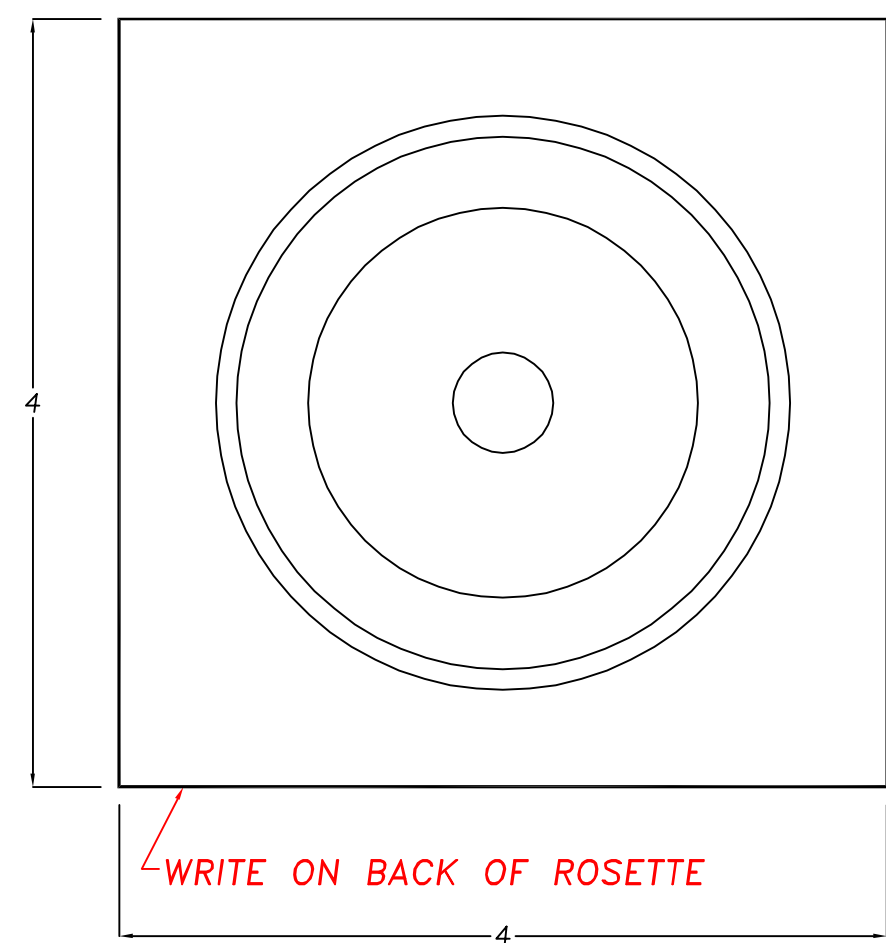
ES-OGEE - EDGE HAPE STYLE "OGEE"



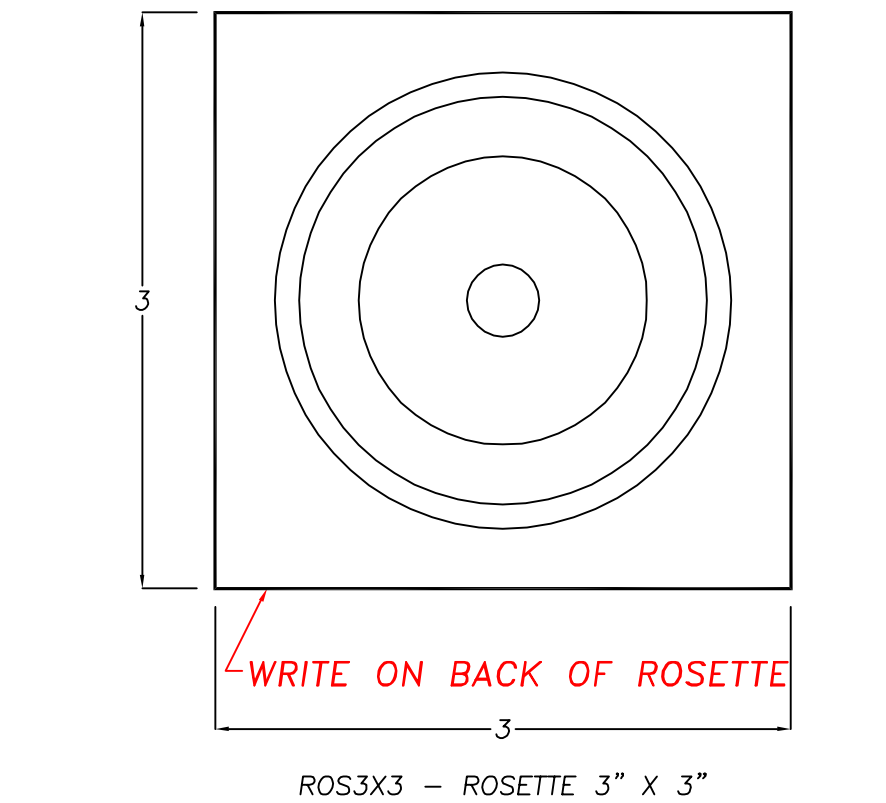
FLUTE - FLUTED CASING



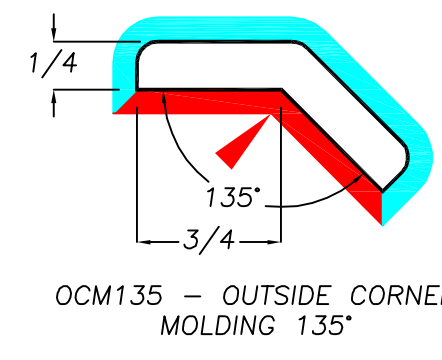
REED - REEDED CASING



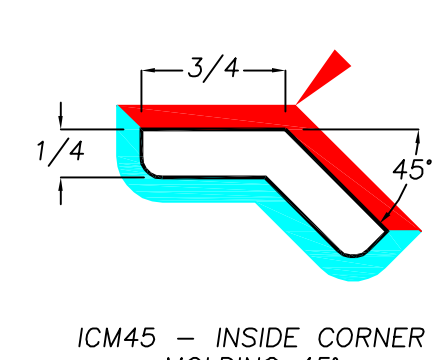
ROS4X4 - ROSETTE 4" X 4"



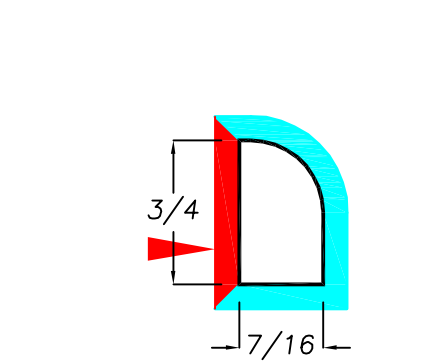
ROS3X3 - ROSETTE 3" X 3"



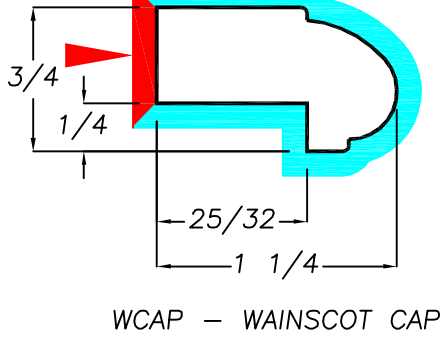
OCM135 - OUTSIDE CORNER MOLDING 135°



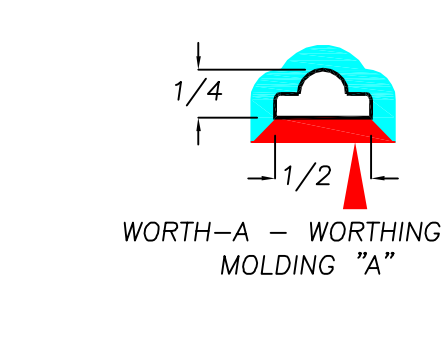
ICM45 - INSIDE CORNER MOLDING 45°



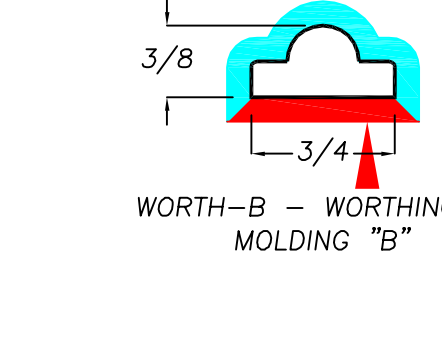
SHOE-A - BASE SHOE "A"



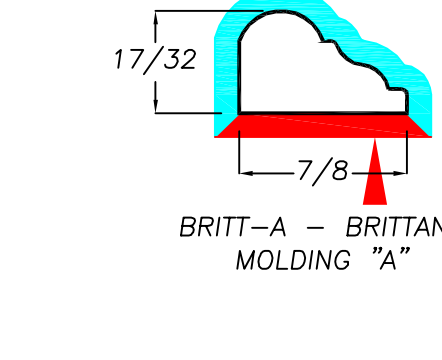
WCAP - WAINSCOT CAP



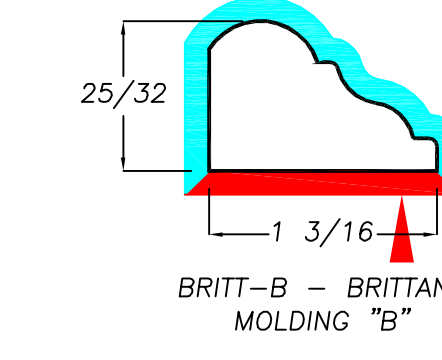
WORTH-A - NORTHINGTON MOLDING "A"



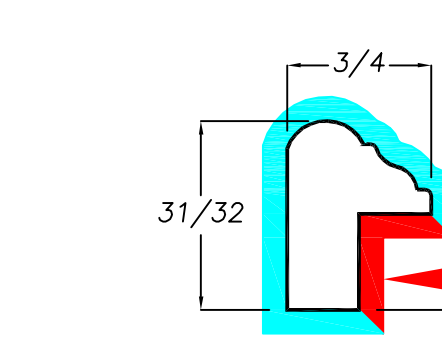
WORTH-B - NORTHINGTON MOLDING "B"



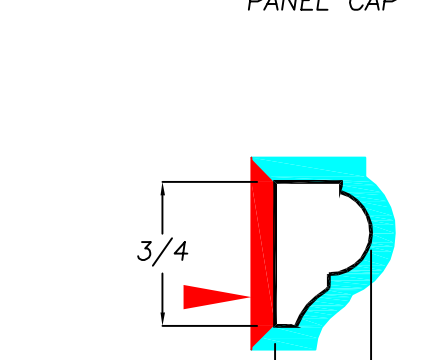
BRITT-A - BRITTANY MOLDING "A"



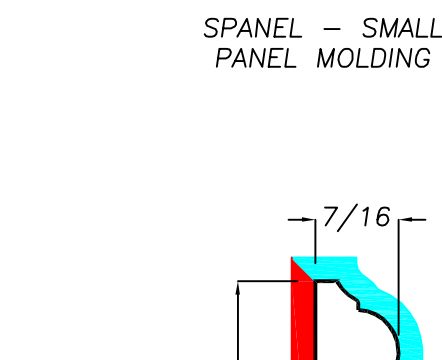
BRITT-B - BRITTANY MOLDING "B"



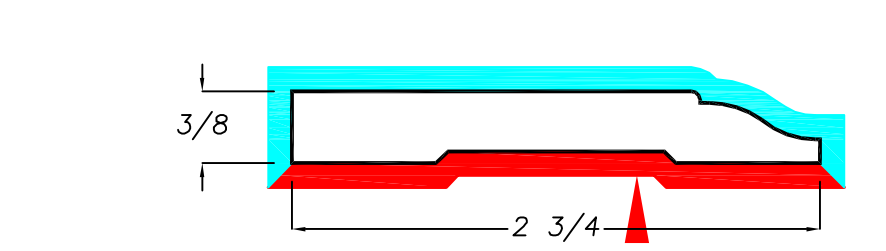
BRITCAP - BRITTANY PANEL CAP



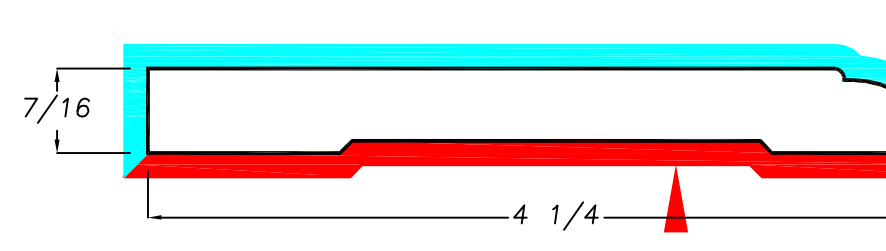
SPANEL - SMALL PANEL MOLDING



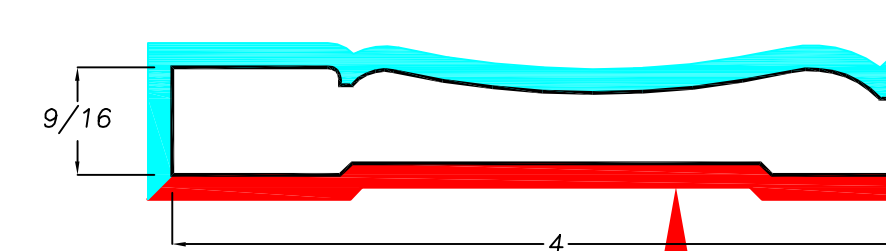
L PANEL - LARGE PANEL MOLDING



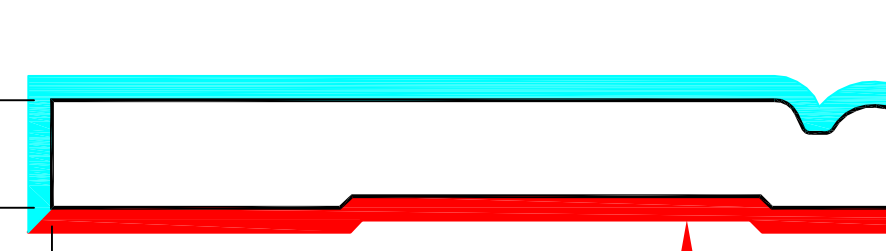
CBASE-A - SMALL COLONIAL BASE



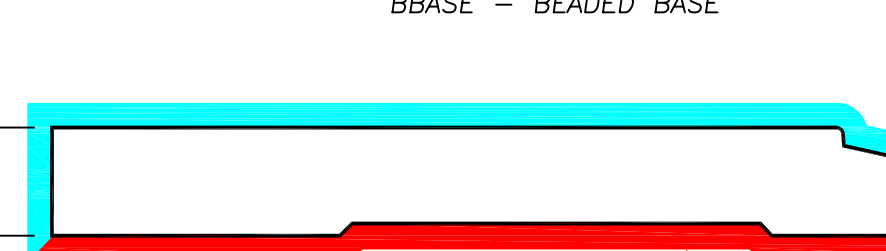
LCBASE - LARGE COLONIAL BASE



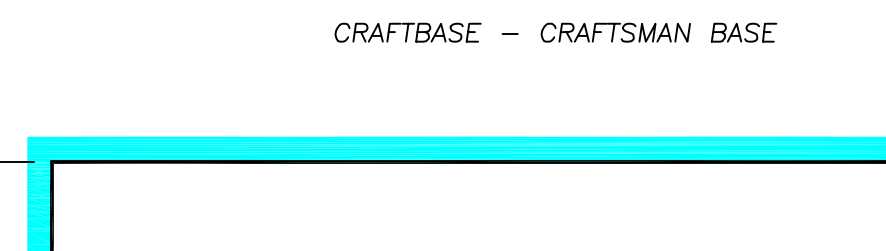
FURNBASE - FURNITURE BASE



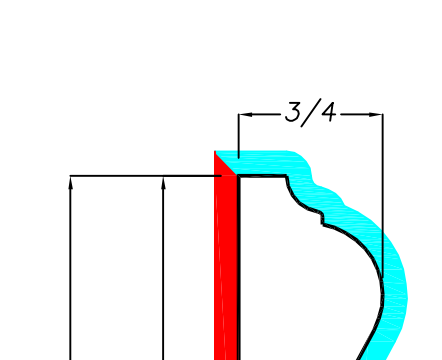
BBASE - BEADED BASE



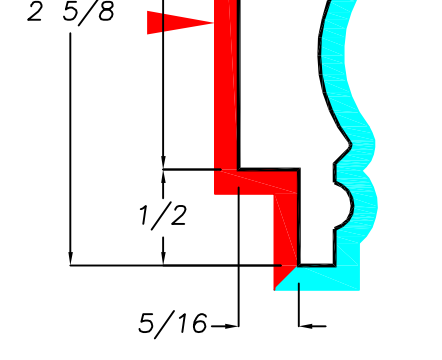
CRAFTBASE - CRAFTSMAN BASE



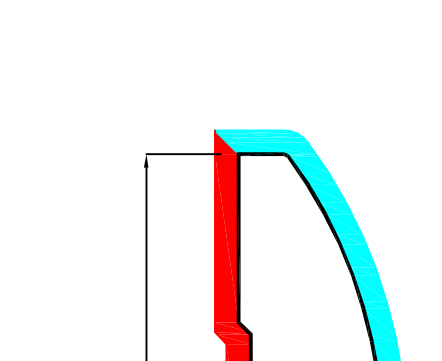
BULLBASE - BULLNOSE BASE



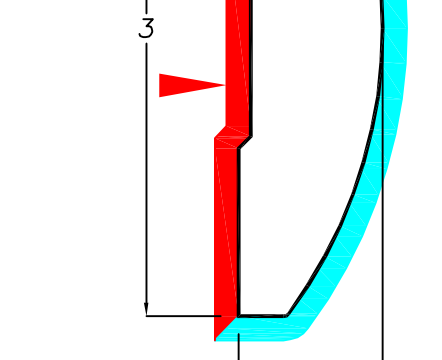
CHRAIL - CHAIR RAIL



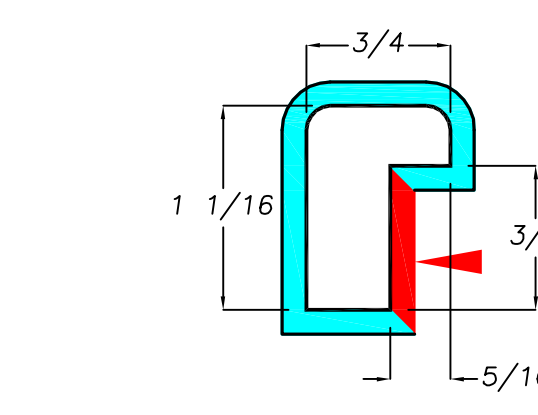
CHCAP - CHAIR CAP



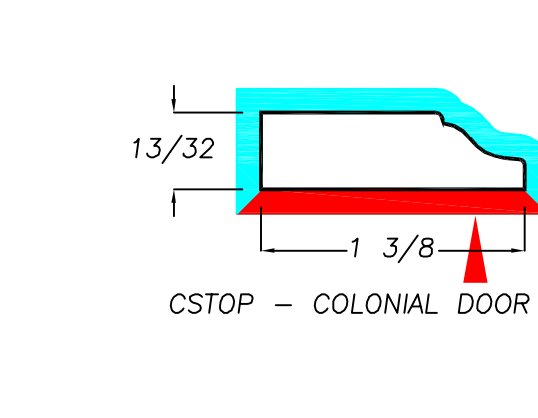
CHRAIL - CURVED CHAIR RAIL



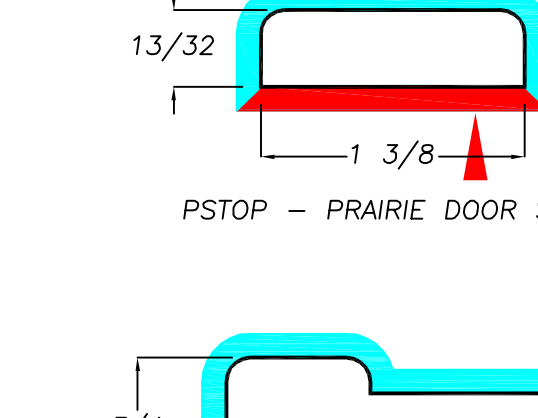
BDPANEL - BEADED PANEL



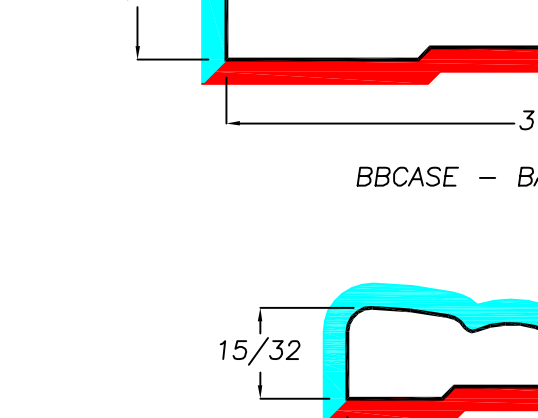
BB-A - BACK BAND "A"



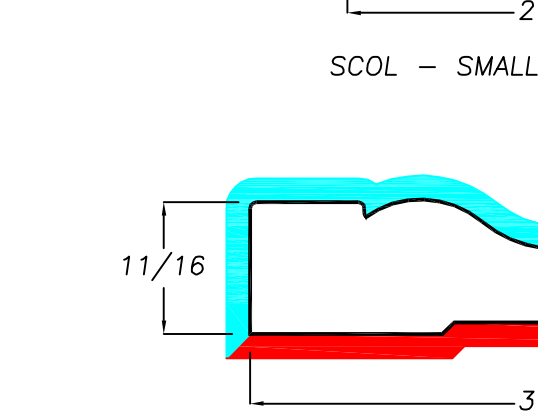
CSTOP - COLONIAL DOOR STOP



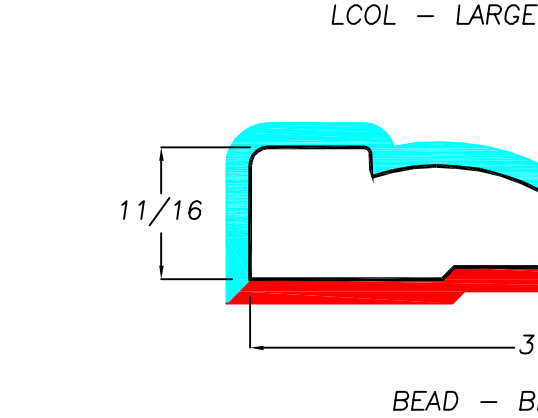
PSTOP - PRAIRIE DOOR STOP



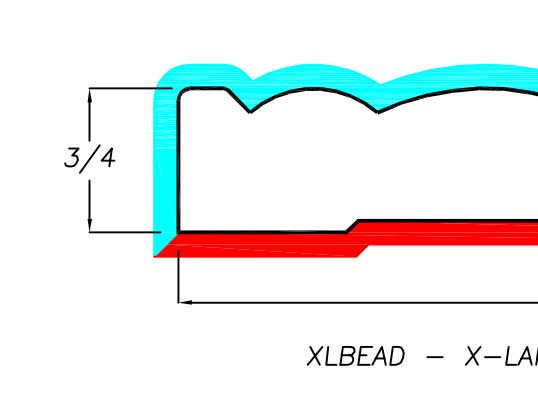
BBCASE - BACKBAND CASING



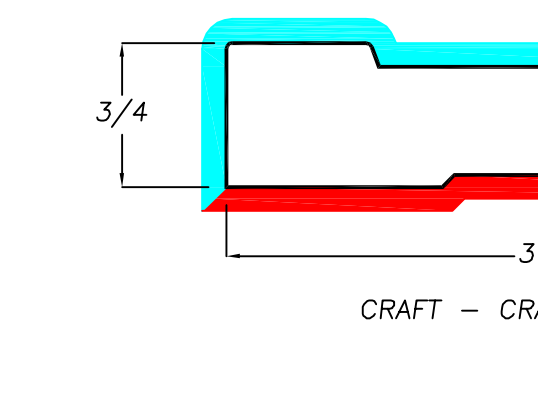
SCOL - SMALL COLONIAL CASING



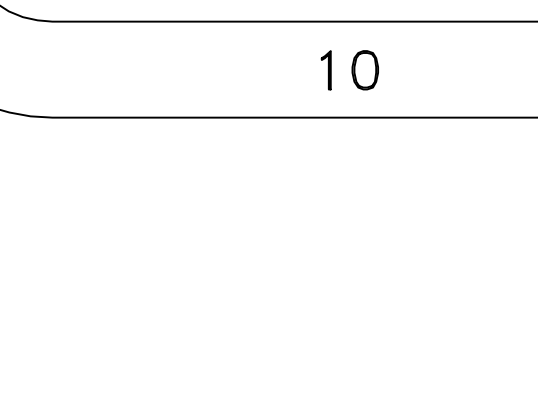
LCOL - LARGE COLONIAL CASING



BEAD - BEADED CASING



XLBEAD - X-LARGE BEADED CASING



CRAFT - CRAFTSMAN CASING

A

B

C

D

E

F

G

H

H

G

F

E

D

C

B

A

WOODHARBOR	WOODHARBOR SPEC - ALL DECORATIVE MOLDING PROFILES	DATE: 11-18-09	REV: 1	BY: [Signature]	DATE: [Signature]												
<table border="1"> <thead> <tr> <th>REV</th> <th>DESCRIPTION</th> <th>BY</th> <th>DATE</th> </tr> </thead> <tbody> <tr> <td> </td> <td> </td> <td> </td> <td> </td> </tr> <tr> <td> </td> <td> </td> <td> </td> <td> </td> </tr> </tbody> </table>						REV	DESCRIPTION	BY	DATE								
REV	DESCRIPTION	BY	DATE														